

## A stamping press installation system designed to fit your needs

---

Vibro/Dynamics specializes in the installation of large stamping presses on anchorless isolation systems that provide faster, easier and more precise installations. These modular elastomer isolation systems are designed to be configured to meet very demanding vibration isolation requirements.

MX Systems are elastomer type mountings that provide excellent vibration isolation. Natural frequencies as low as 8 Hz are possible with MX systems due to their unique multi-layer, modular elastomer design.

MXL and MXLP models feature integral precision leveling combined with Hydra/Level® lift-assist capability, making leveling and alignment of even the heaviest presses accurate, fast and safe.

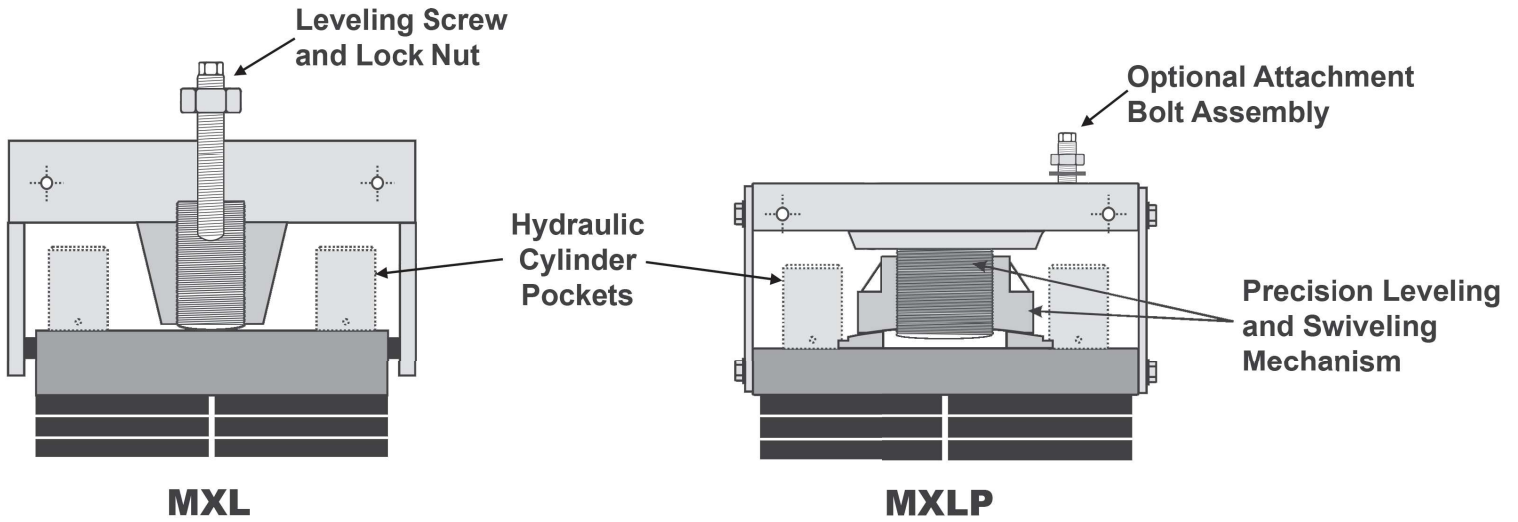
The MXL Models have a vertical leveling screw that passes through the machine's mounting holes, locating the MXL Isolators about the machine's mounting hole. The Leveling Screw and Lock Nut fasten the MXL to the machine foot.

The MXLP Models have a unique Leveling Screw and Swiveling Mechanism. The MXLP Model can be located anywhere under the machine foot and does not have to be centered on the machine's mounting hole. This design offers greater layout flexibility. An optional Attachment Bolt assembly is available to fasten the Isolator to the machine foot.

Both the MXL and MXLP have a swiveling/tilt capability that automatically compensates when the bottom of a machine foot is not parallel with the supporting foundation surface, assuring proper support of the machine foot and uniform loading of the isolation mount.

MXBN and MXBL isolation elements mounts use the same modular elastomers as the MXL and MXLP models. A ground steel mounting plate replaces the MXL and MXLP leveling housing. Steel shims with alternating layers of non-slip material (e.g. Shim Pack) are provided for leveling. An Optional Attachment Bolt is available to mechanically secure the machine foot to the isolation element.

## MXL & MXLP Elastomer Isolators



## MXBN & MXBL Isolation Elements

